

Waveguide High Power Circulators

Part Number: KTWC84-100B

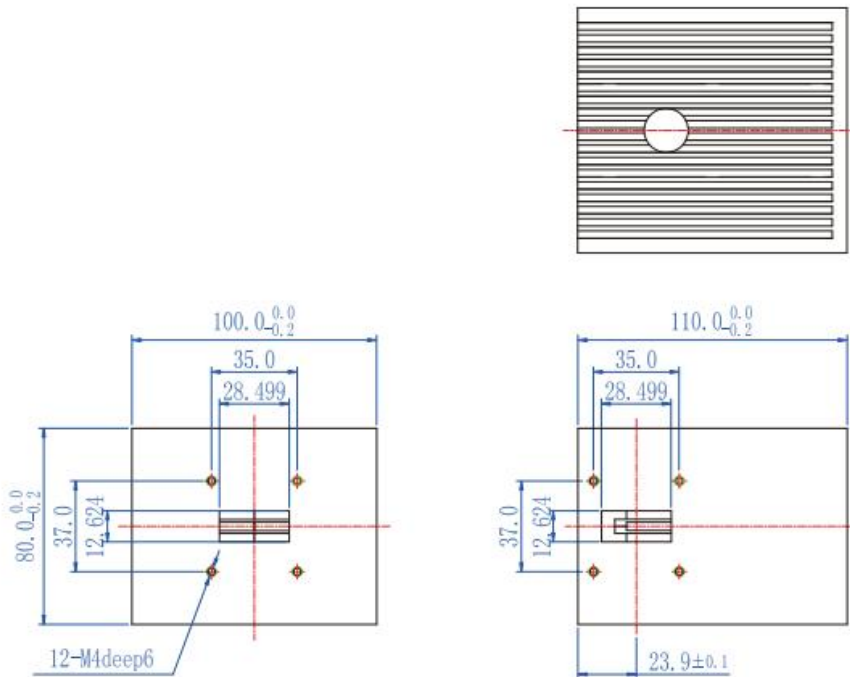
Key Features

- Broad Frequency Range: 6.58GHz-10.0GHz
- High Forward Power: 20K W
- High Isolation, Low Insertion Loss
- Wide Operating Temperature Range: -40°C~+85°C
- Commercial, Military and Space Applications

Electrical Specifications at Room (25°C±5°C) Temperature

Part Number	Freq. Range (GHz)	Relative Bandwidth	Insertion Loss Max. (dB)	Isolation Min. (dB)	VSWR Max.	Peak Power (W)	Duty Ratio	Waveguide Type
KTWC84-100B	6.58 - 10.0	10%	0.3	20	1.20	20K	10%	WR112

Mechanical Dimensions (mm)



HOW TO ORDER

